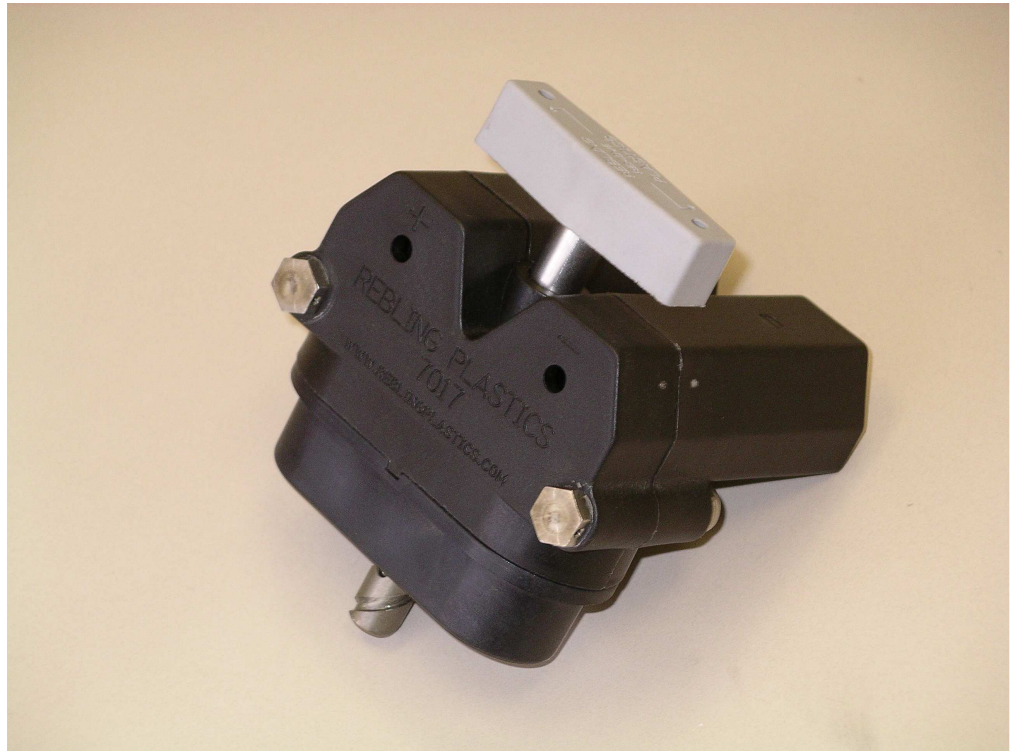


The 7017 Quick Disconnect Plug is a two wire connector designed to mate with all MS 3509 style (Rebling's 7002 series) receptacles. The 7017 replaces our 7005 Battery Disconnect and is on the Qualified Products List (QPL) for MIL P 18148 and MS 3349-2.

This connector features self-aligning, compliant sockets that compensate for part to part dimensional tolerances and relative motion of the mating receptacle's contact pins. This feature results in a low insertion force and minimal wear on the 7017 shaft and sockets. The 7017's silver-plated copper alloy sockets also feature a large contact area resulting in very low electrical losses across the socket-receptacle pin interface.

The 7016 body is molded from a chemically-resistant and heat-resistant plastic. Embossed polarity markings and a molded keyway on the body ensure that correct polarity is achieved with the mating receptacle. The maximum torque that can be applied to fasten the cable lugs is also embossed on the molded body. Engagement with the receptacle is accomplished by rotating a "T" shaped handle (p/n 7017-1) or round handle (p/n 7017-2) to a locked detent position. This handle is over-molded onto a hardened stainless steel shaft. Protective coverings over the sockets are molded from the same plastic material as the body and are permanently attached using an ultrasonic welding process.

The 7017 can accommodate up to 000 cable on both the positive and negative terminals.



## Rebling 7017 Quick Disconnect

- Two – Wire Design
- Mates with MS 3509 receptacle
- Stainless Steel Shaft and Fasteners
- Socket Covers permanently attached to body
- QPL listed per MS3349-2 and MIL-P-18148

## Material Specifications:

Body Material ... Chemical and fungus resistant glass reinforced plastic, resistant to all known chemicals at room temperature.

Color.....Body-black; Handle-grey.

Sockets.....Copper Alloy – silver-plated per QQ-S-365D.

Handle Shaft.....Stainless Steel-hardened to Rc 50-54.

“T” or Round.....20% Glass-Filled Polypropylene.

## Electrical Specifications:

(tested between -65°F to +160°F)

Dielectric.....Greater than 2500VDC Strength applied for 1 minute between contacts.

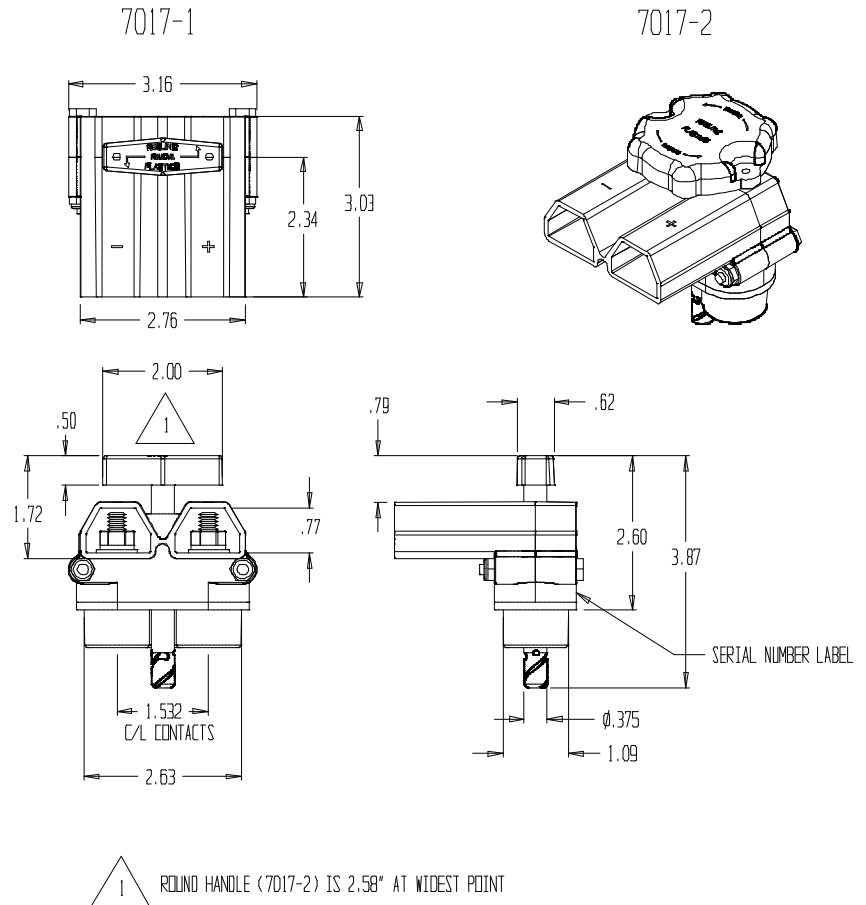
Insulation.....Greater than 5 gigohms Resistance with 500VDC applied between contacts.

Contact.....Less than 28 mV at 750 Resistance amps for 5 minutes; less than 42 mV at 1200 amps for 1 minute. (contact resistance measured between disconnect and MS 3509 receptacle).



**Rebling Plastics** (800) 220-1594  
**150 Franklin Drive** Fax: (215) 343-1780  
**Warrington, PA 18976**  
[www.reblingplastics.com](http://www.reblingplastics.com)

**Rev. 10/03**



## Mechanical Specifications:

Shock.....15G within 5 milliseconds.

Vibration.....+/- 10G between 5 and 500 Hz.

Weight.....less than 0.65 pounds.

Temperature Shock.....-40°F to +160°F within 5 minutes.

Engagement Torque.....11 inch pounds maximum when engaged with MS 3509 receptacle.

Lifespan.....Greater than 5000 engagements with mating MS 3509 receptacle.

Humidity.....Withstands 95%RH, up to 140°F.

Salt Spray.....Withstands 7 day exposure of 5% salt spray at 95°F.

Fungus Resistance.....Will not support fungus growth

Chemical Resistance.....Withstands immersion in following:  
 1.1 Sp. Gr. Sulfuric Acid – 4 hours  
 1.1 Sp. Gr. Potassium Hydroxide – 4 hours  
 Aircraft Hydraulic Fluid per MIL H 5606 – 20 hours  
 Lubrication Oil per MIL L 23699 – 20 hours