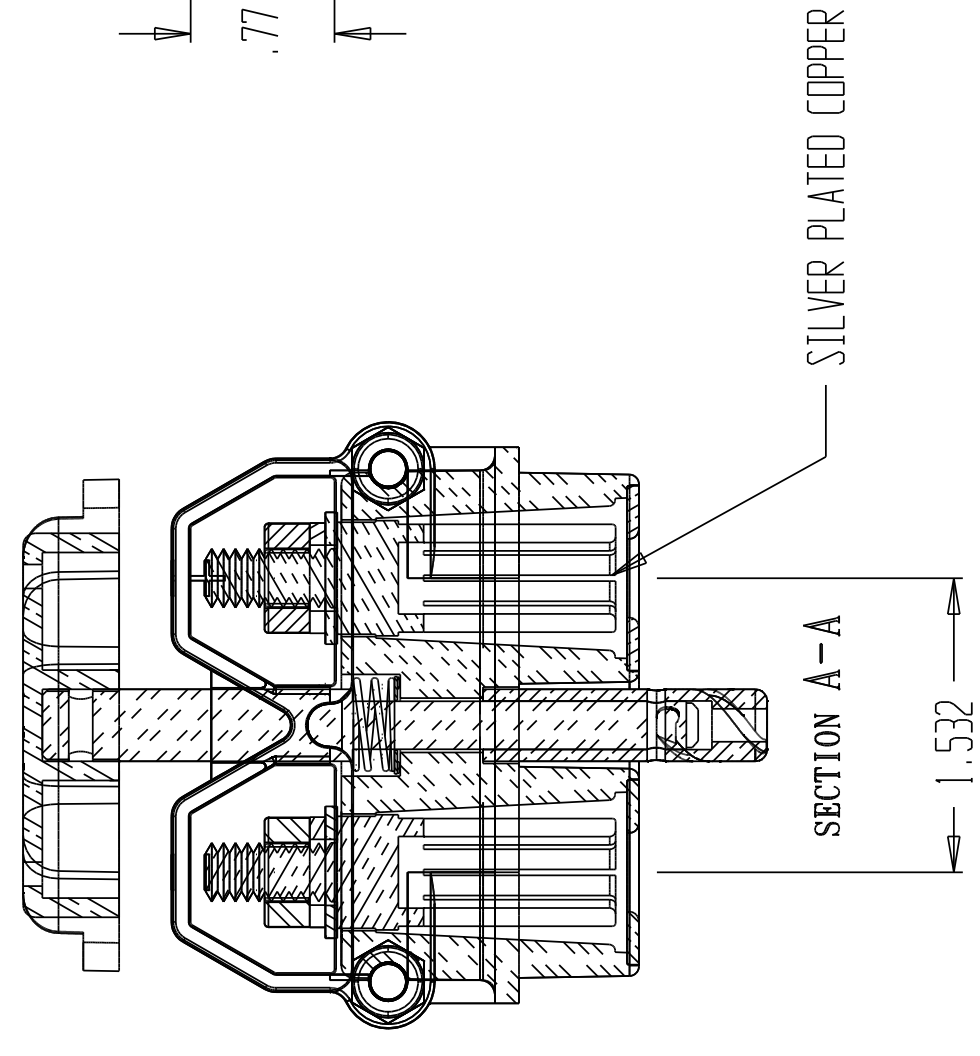
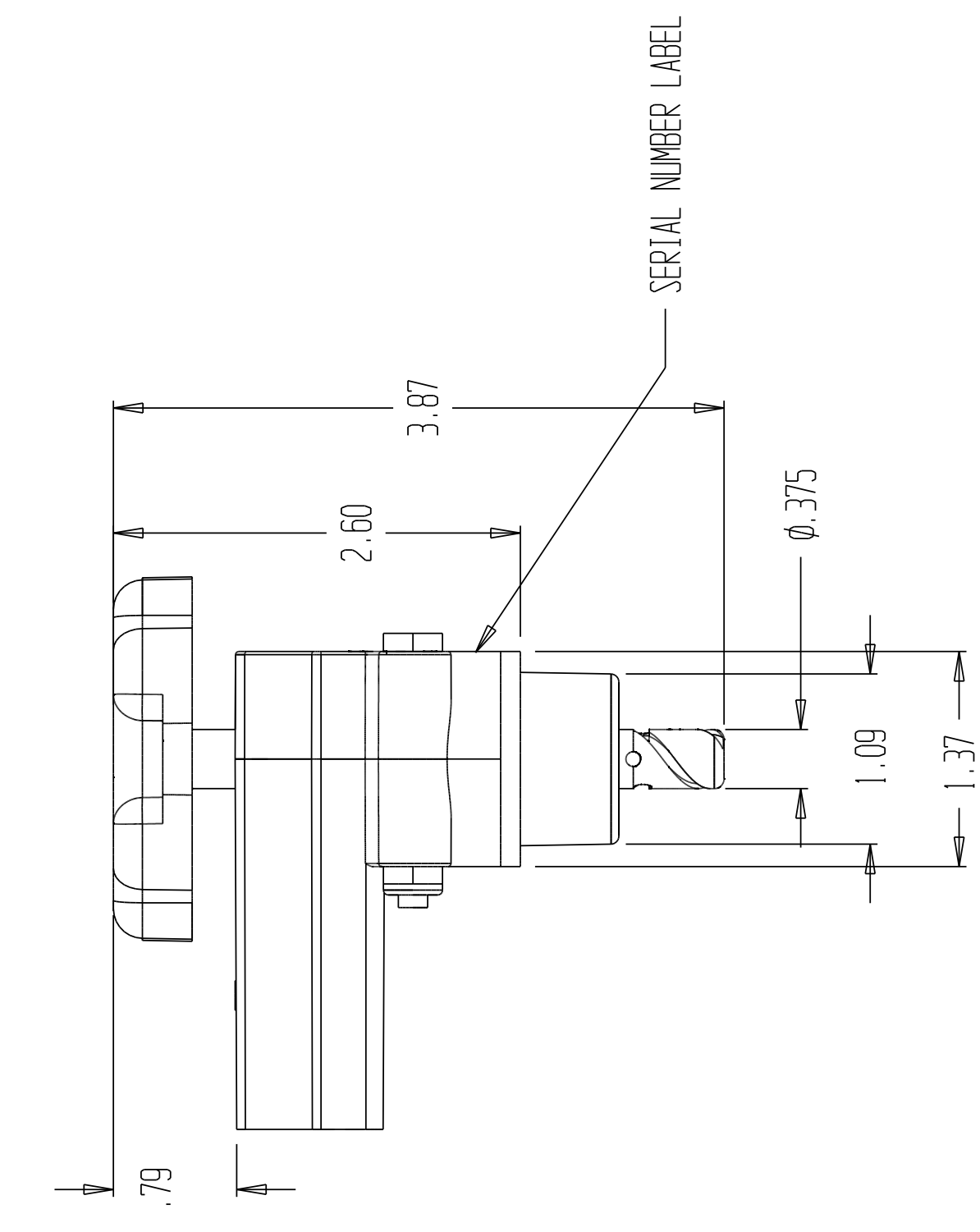
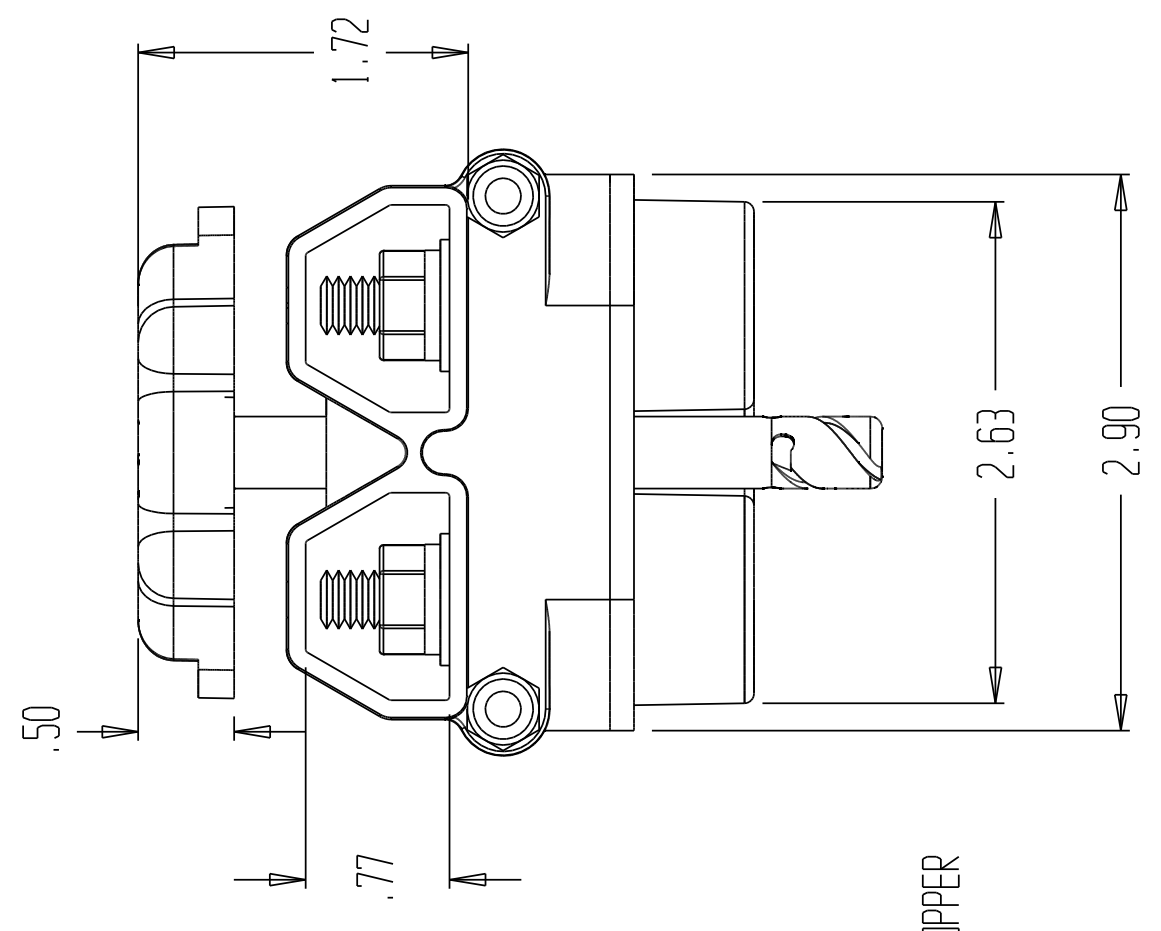
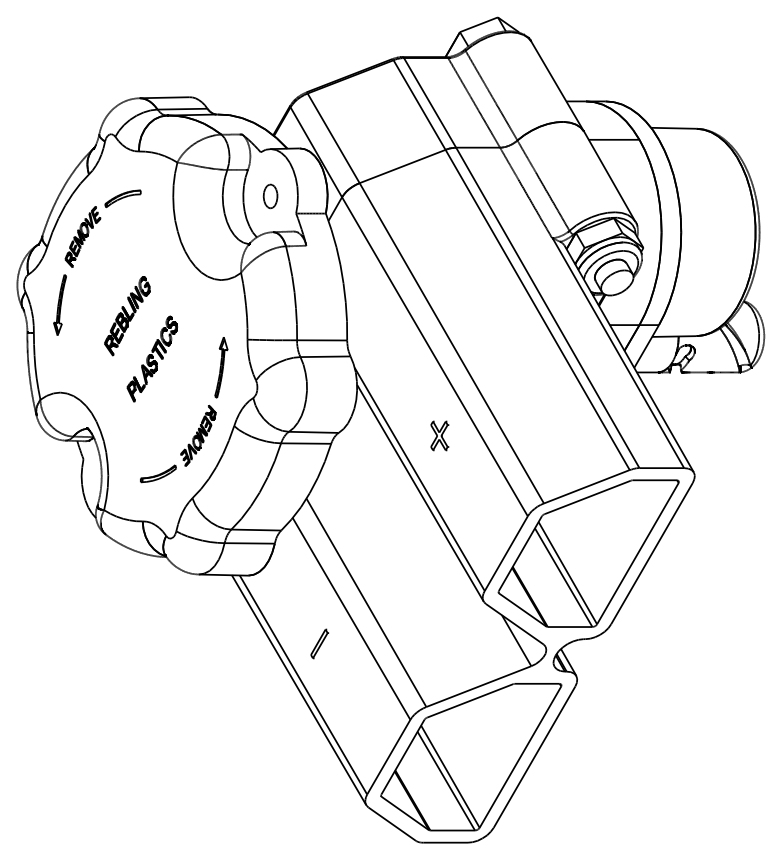
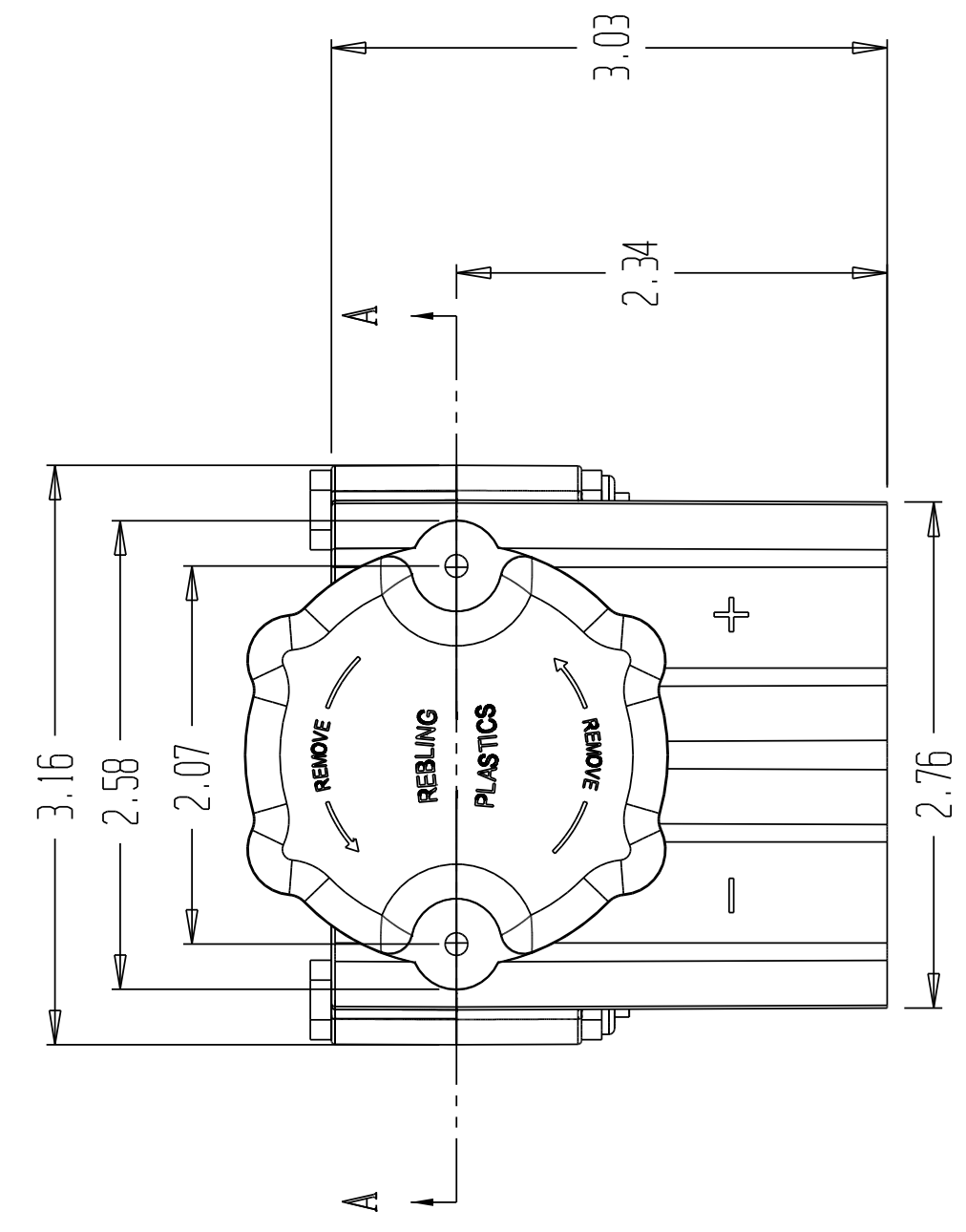


REVISIONS			
REV	DESCRIPTION	DATE	APPROVED
-	RELEASE	9-3-03	NJB



SEE NOTE 4

- NOTES:
1. THIS CONNECTOR IS DESIGNED TO MATE WITH ALL MS3509 TYPE RECEPTACLES.
 2. BODY MATERIAL: BLACK, GLASS-REINFORCED, FUNGUS AND CHEMICALLY RESISTANT PLASTIC.
 3. ALL DIMENSIONS ARE NOMINAL AND DO NOT INCLUDE DRAFT ANGLES.
 4. CENTERLINE DIMENSION OF SOCKETS IS NOMINAL.
 5. SOCKETS ARE FREE TO FLOAT AND ALIGN WITH MATING RECEPTACLE.
 6. PART WEIGHT .62 LB.
 7. PART CAN ACCOMMODATE UP TO 000 WIRE ON THE POSITIVE AND NEGATIVE TERMINALS.

UNLESS OTHERWISE SPECIFIED ALL DIMENSIONS ARE IN INCHES.		REBLING PLASTICS	
BATTERY DISCONNECT - ROUND HANDLE		7017-2	
MATERIAL	as noted	SIZE (DRAWN BY)	C (NJB)
CAGE CODE	30525	DWG NO.	7017-2 CUST DWG
SCALE	1:1	DATE	9-3-03
		SHEET	1 of 1