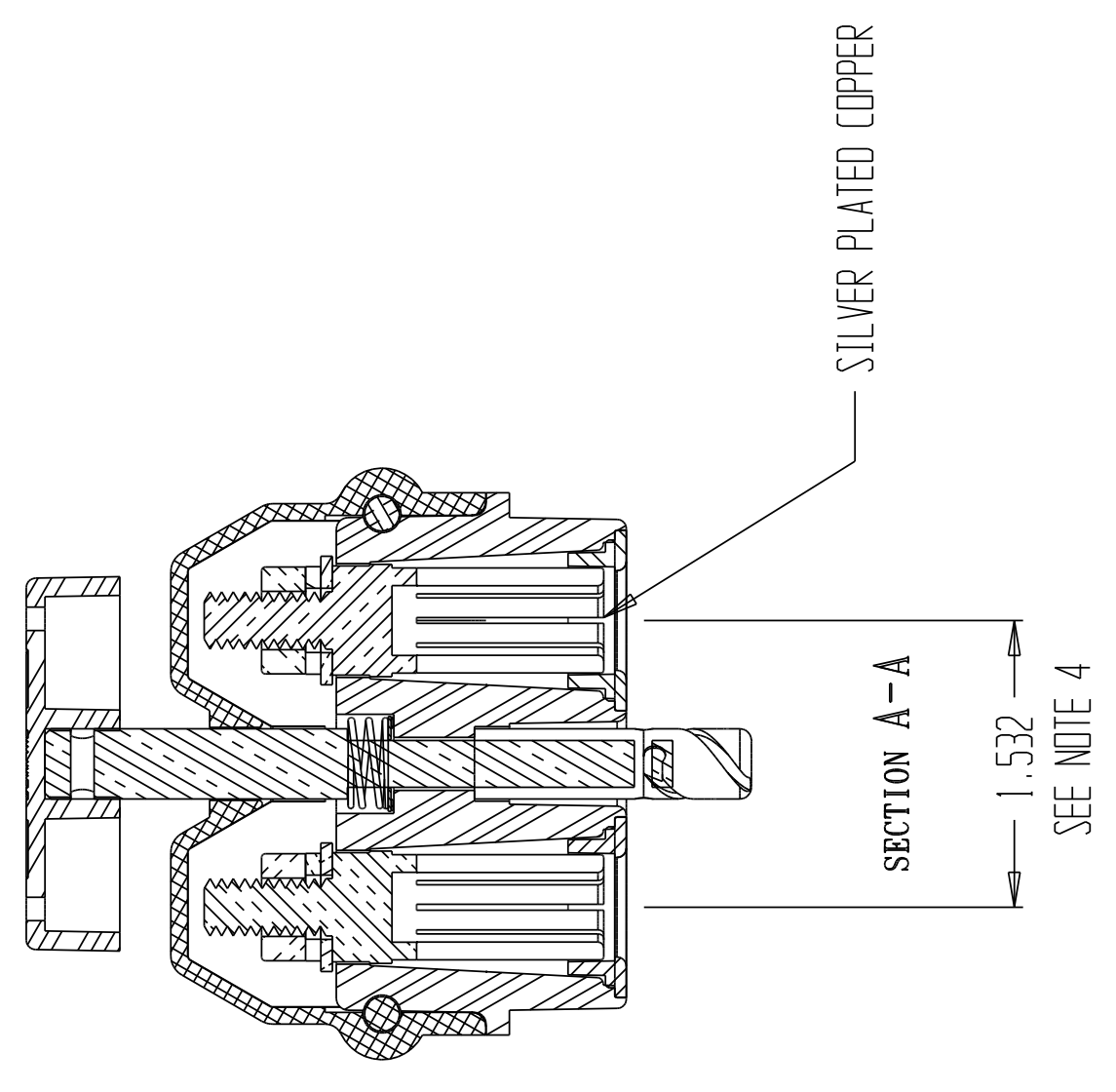
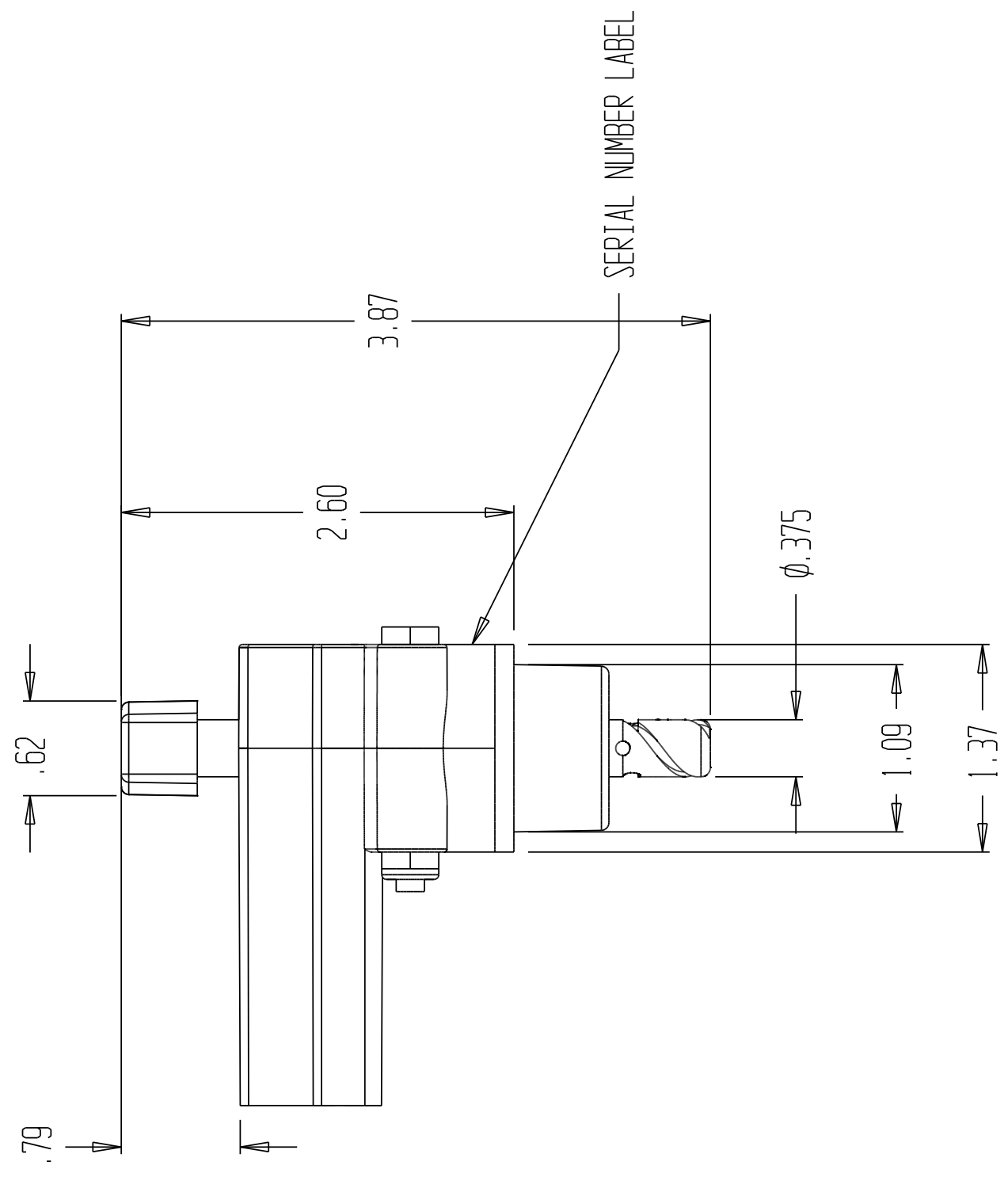
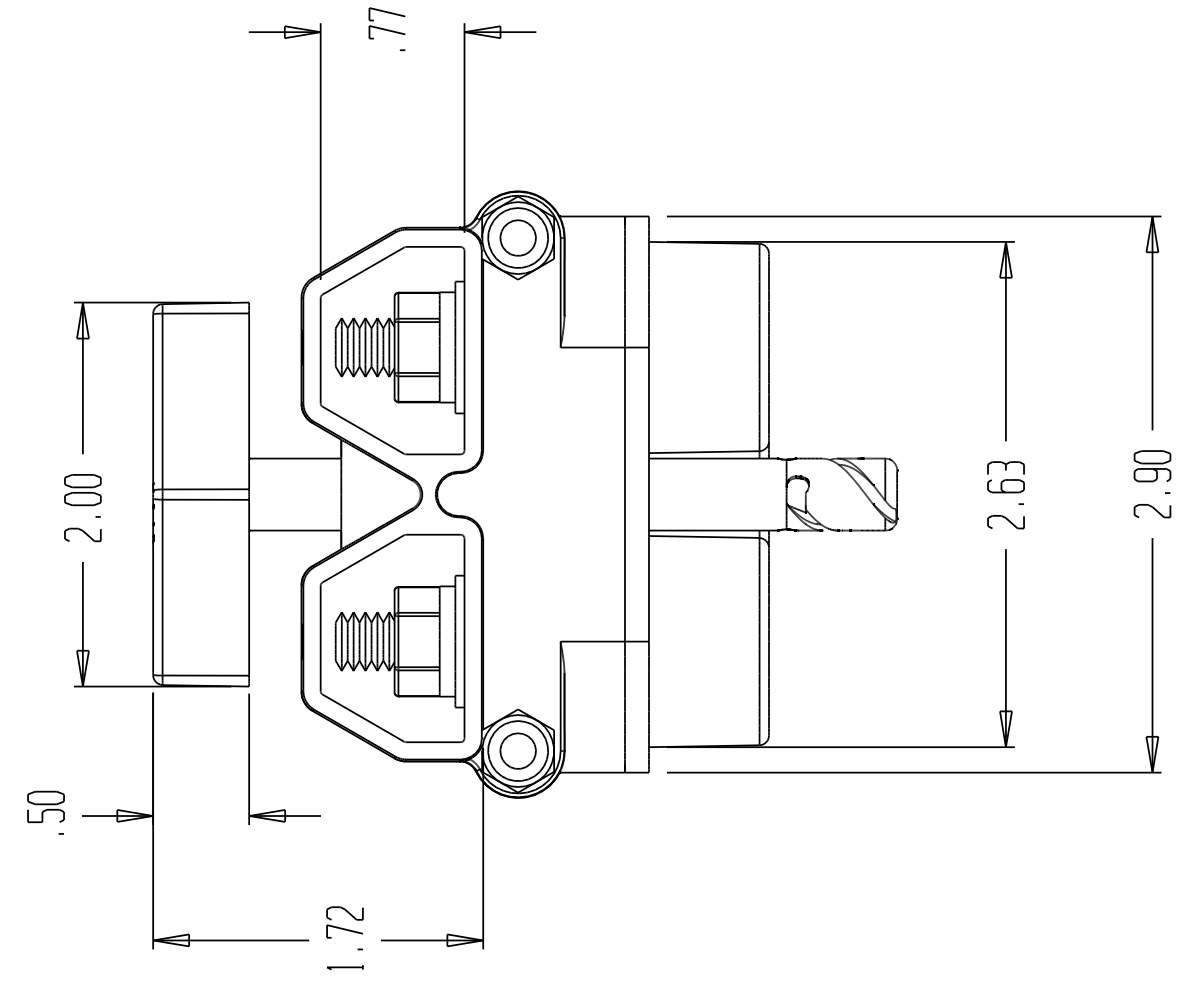
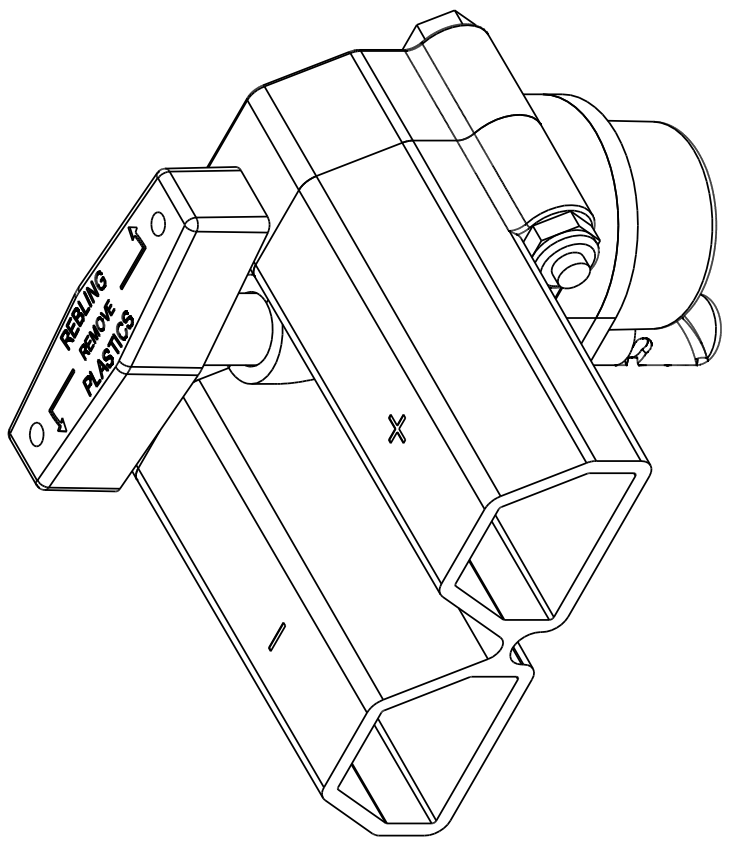
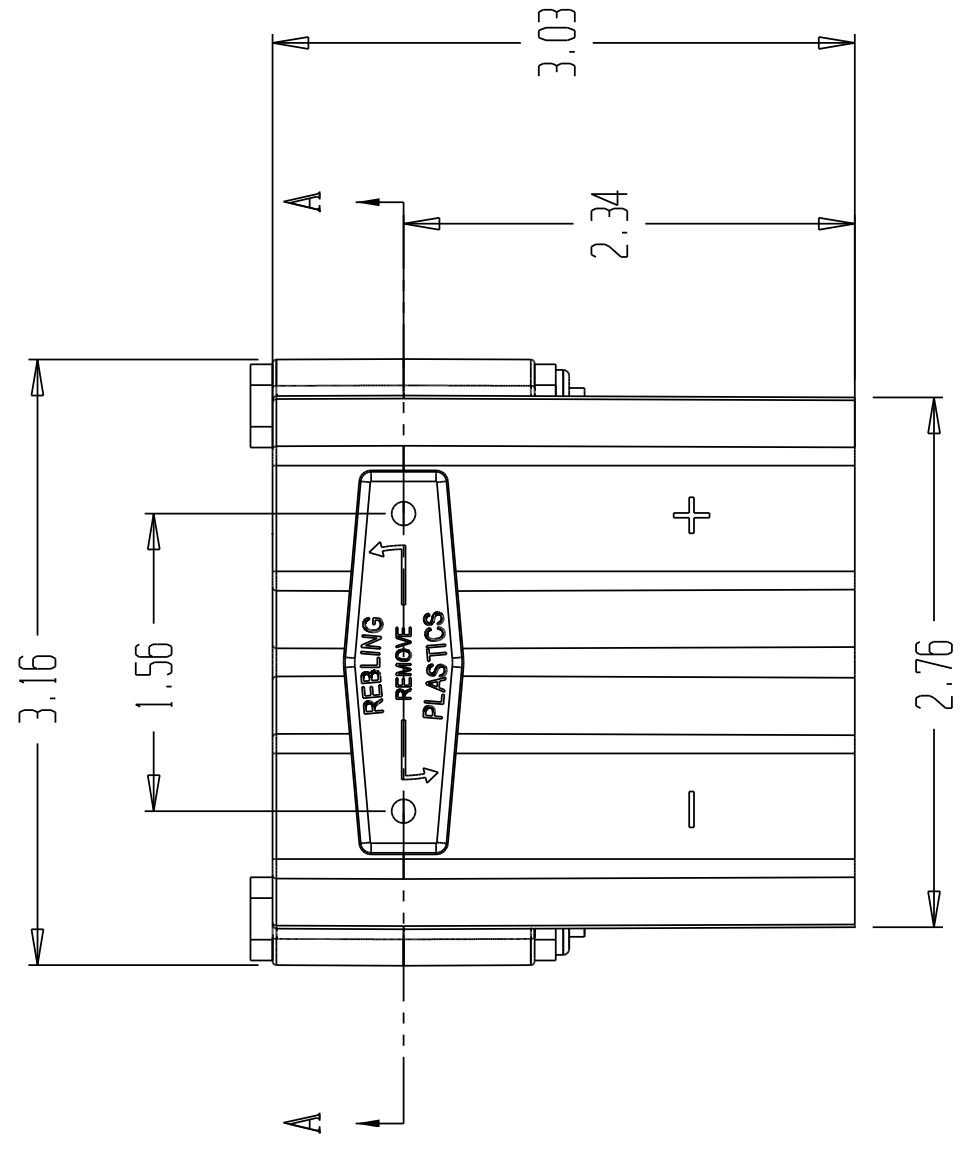


REVISIONS			
REV	DESCRIPTION	DATE	APPROVED
-	RELEASE	2-12-03	NJB
A	WASHER, LABEL LOC. ADDED	8-27-03	NJB



- NOTES:
1. THIS CONNECTOR IS DESIGNED TO MATE WITH ALL MS3509 TYPE RECEPTACLES.
 2. BODY MATERIAL: BLACK, GLASS-REINFORCED, FUNGUS AND CHEMICALLY RESISTANT PLASTIC.
 3. ALL DIMENSIONS ARE NOMINAL AND DO NOT INCLUDE DRAFT ANGLES.
 4. CENTERLINE DIMENSION OF SOCKETS IS NOMINAL.
SOCKETS ARE FREE TO FLOAT AND ALIGN WITH MATING RECEPTACLE.
 5. PART WEIGHT .60 LB.
 6. PART CAN ACCOMMODATE UP TO 000 WIRE ON THE POSITIVE AND NEGATIVE TERMINALS.

UNLESS OTHERWISE SPECIFIED ALL DIMENSIONS ARE IN INCHES.		REBLING PLASTICS	
BATTERY DISCONNECT - T HANDLE 7017-1		SIZE	REV
as noted	DRAWN BY C. N. BOMER	7017-1 CUST DWG	A
CAGE CODE 30525	SCALE 1:1	DATE 1-15-03	SHEET 1 of 1