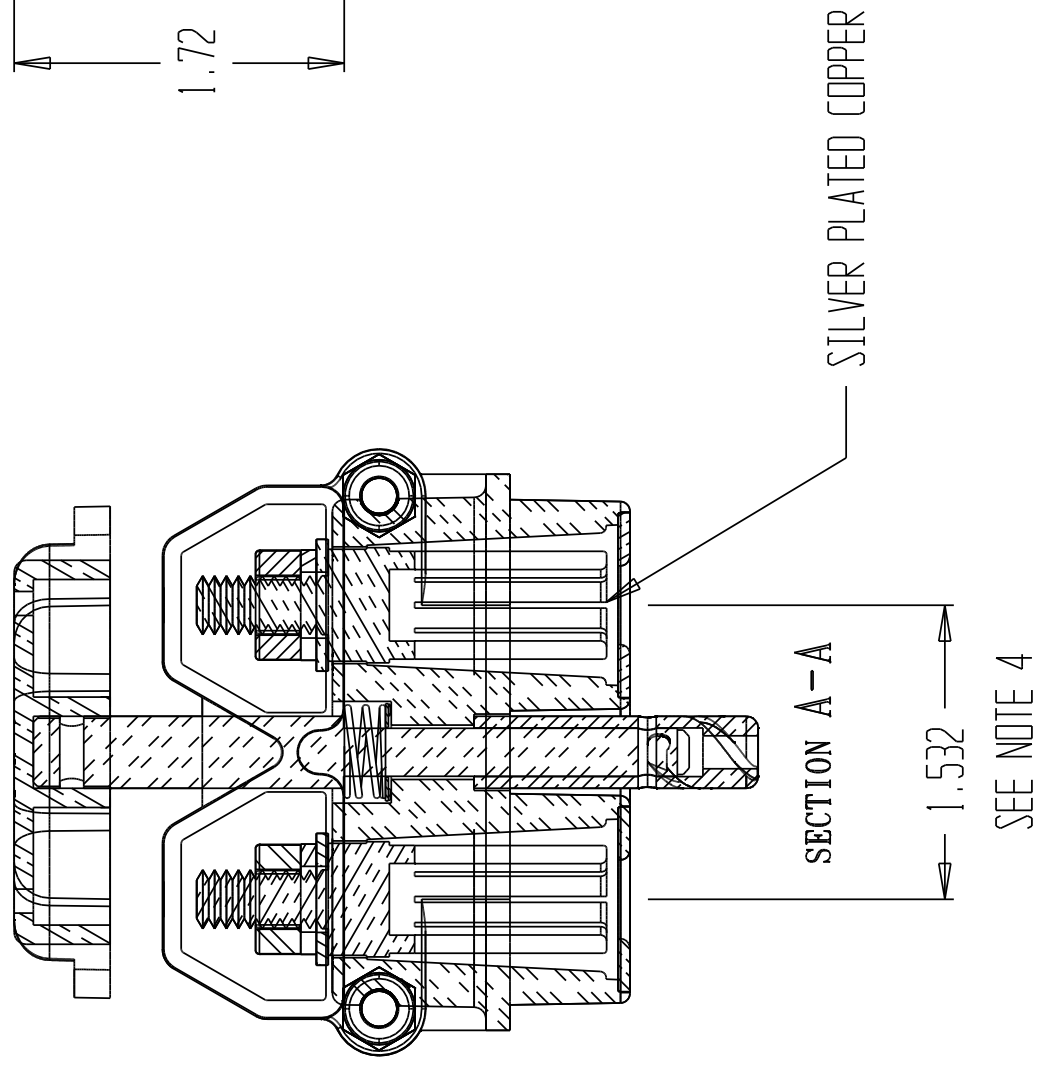
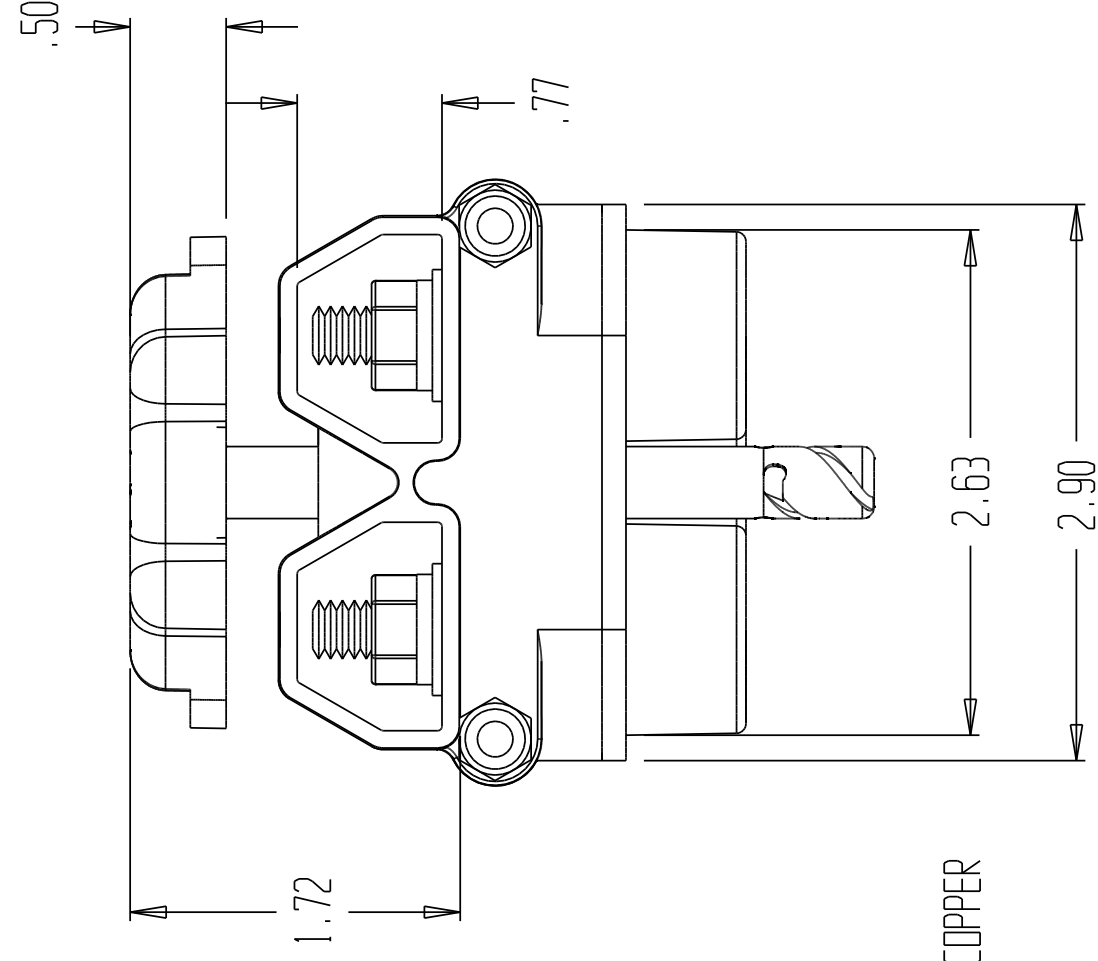
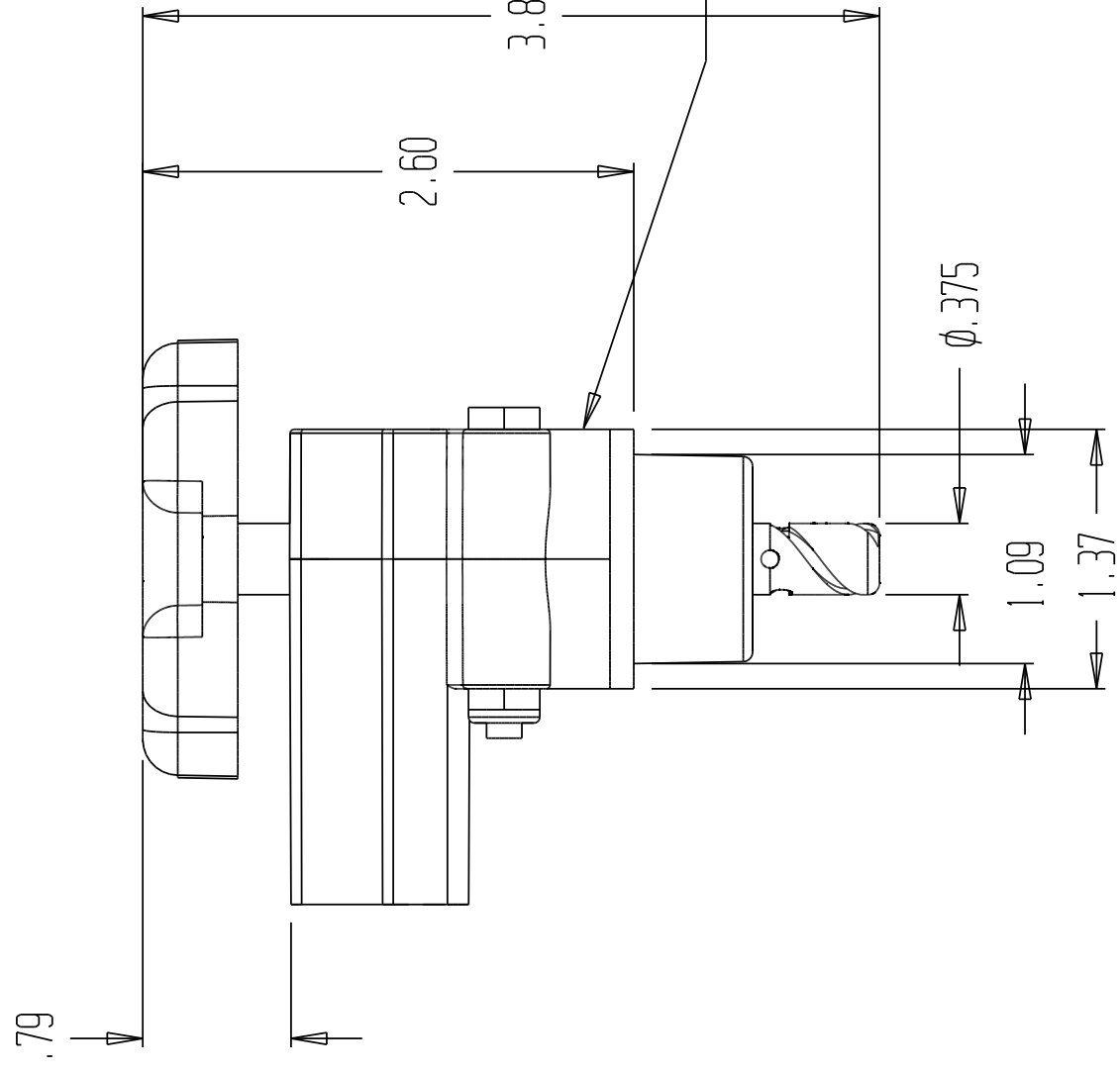
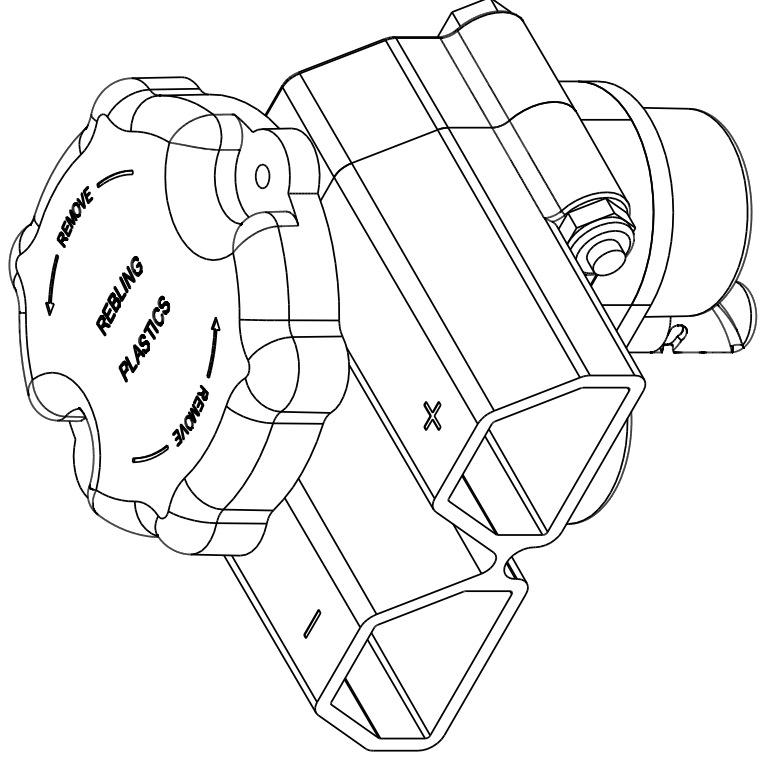


REVISIONS			
REV	DESCRIPTION	DATE	APPROVED
-	RELEASE	2-12-03	NJB
A	WASHER, LABEL LOC. ADDED	8-27-03	NJB



SEE NOTE 4

- NOTE:
1. THIS CONNECTOR IS DESIGNED TO MATE WITH ALL MS3509 TYPE RECEPTACLES.
 2. BODY MATERIAL: BLACK, GLASS-REINFORCED, FIBERGLASS AND CHEMICALLY RESISTANT PLASTIC.
 3. ALL DIMENSIONS ARE NOMINAL AND DO NOT INCLUDE DRAFT ANGLES.
 4. CENTERLINE DIMENSION OF SOCKETS IS NOMINAL. SOCKETS ARE FREE TO FLOAT AND ALIGN WITH MATING RECEPTACLE.
 5. PART WEIGHT .61 LB.
 6. PART CAN ACCOMMODATE UP TO 000 WIRE ON THE POSITIVE AND NEGATIVE TERMINALS.

UNLESS OTHERWISE SPECIFIED
ALL DIMENSIONS ARE IN INCHES.

REBLING PLASTICS

BATTERY DISCONNECT - ROUND HANDLE
7016-2

MATERIAL	as noted	SIZE (DRAWN BY)	C	DATE	02/04/03	REV	A
CAGE CODE	30525	DMG NO.	7016-2 Cust. Dwg.	SCALE	1:1	SHEET	1 of 1