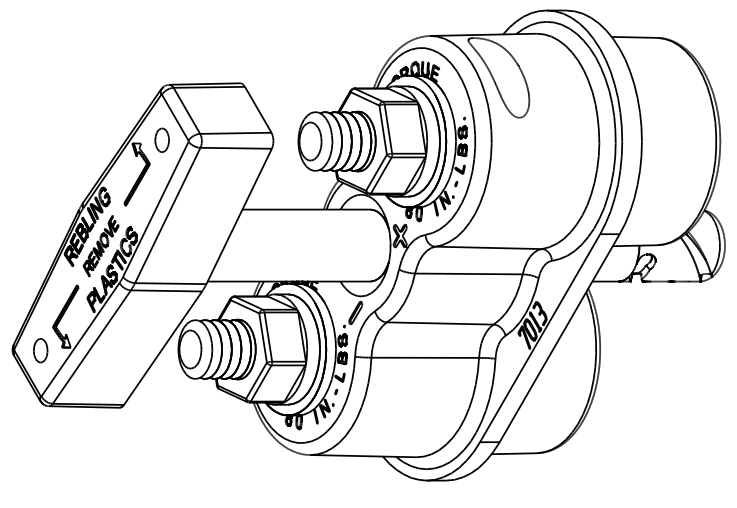
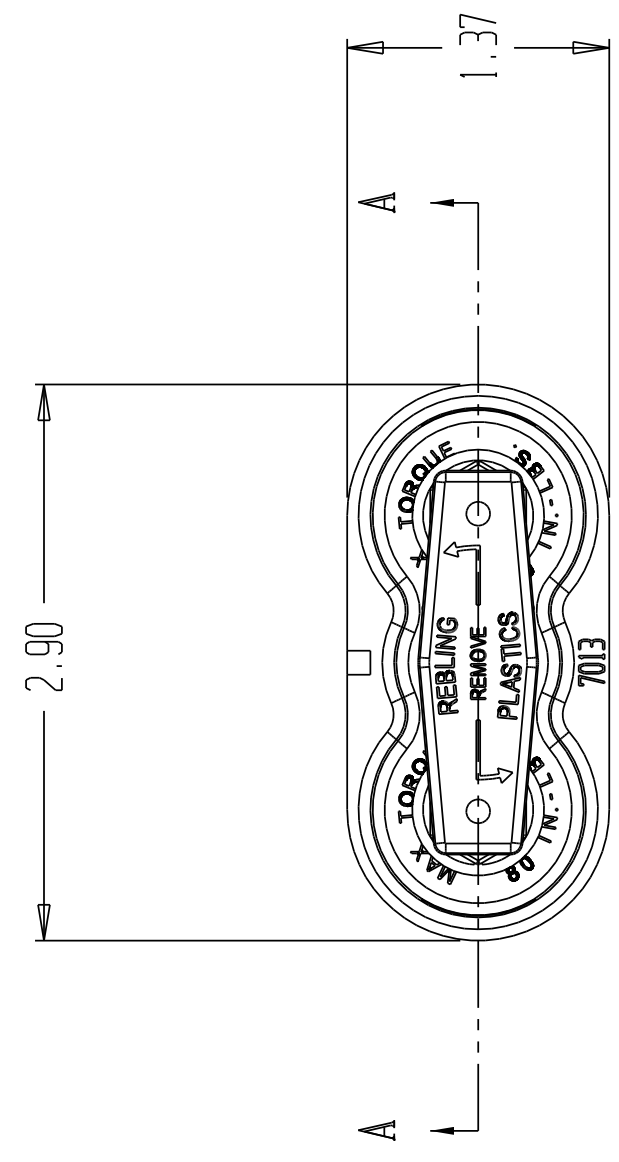
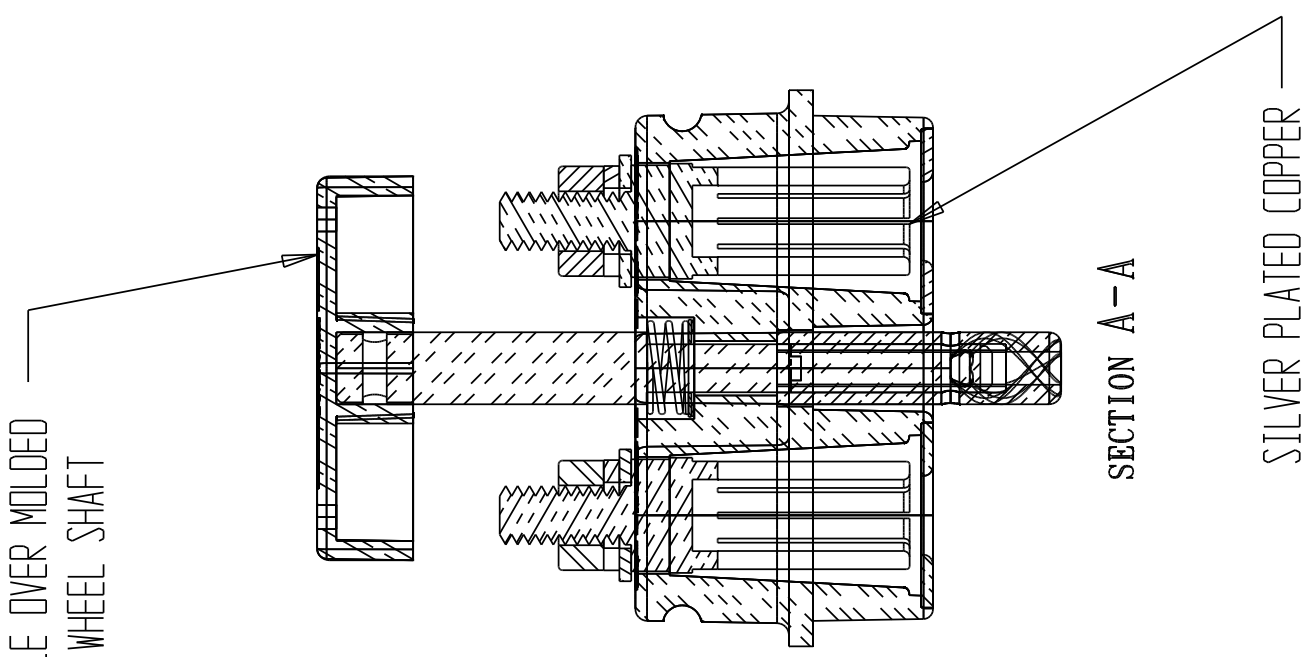
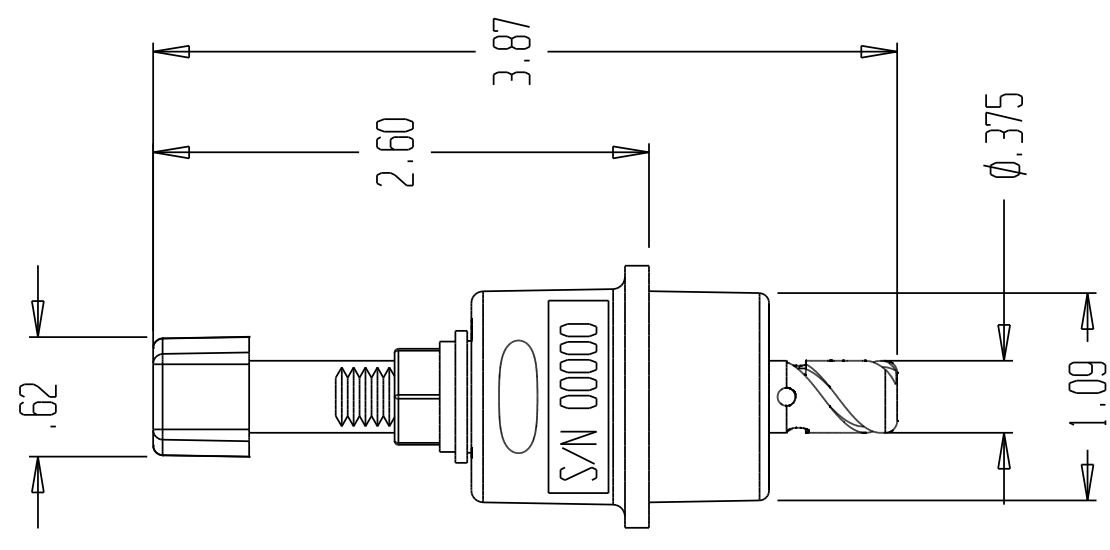
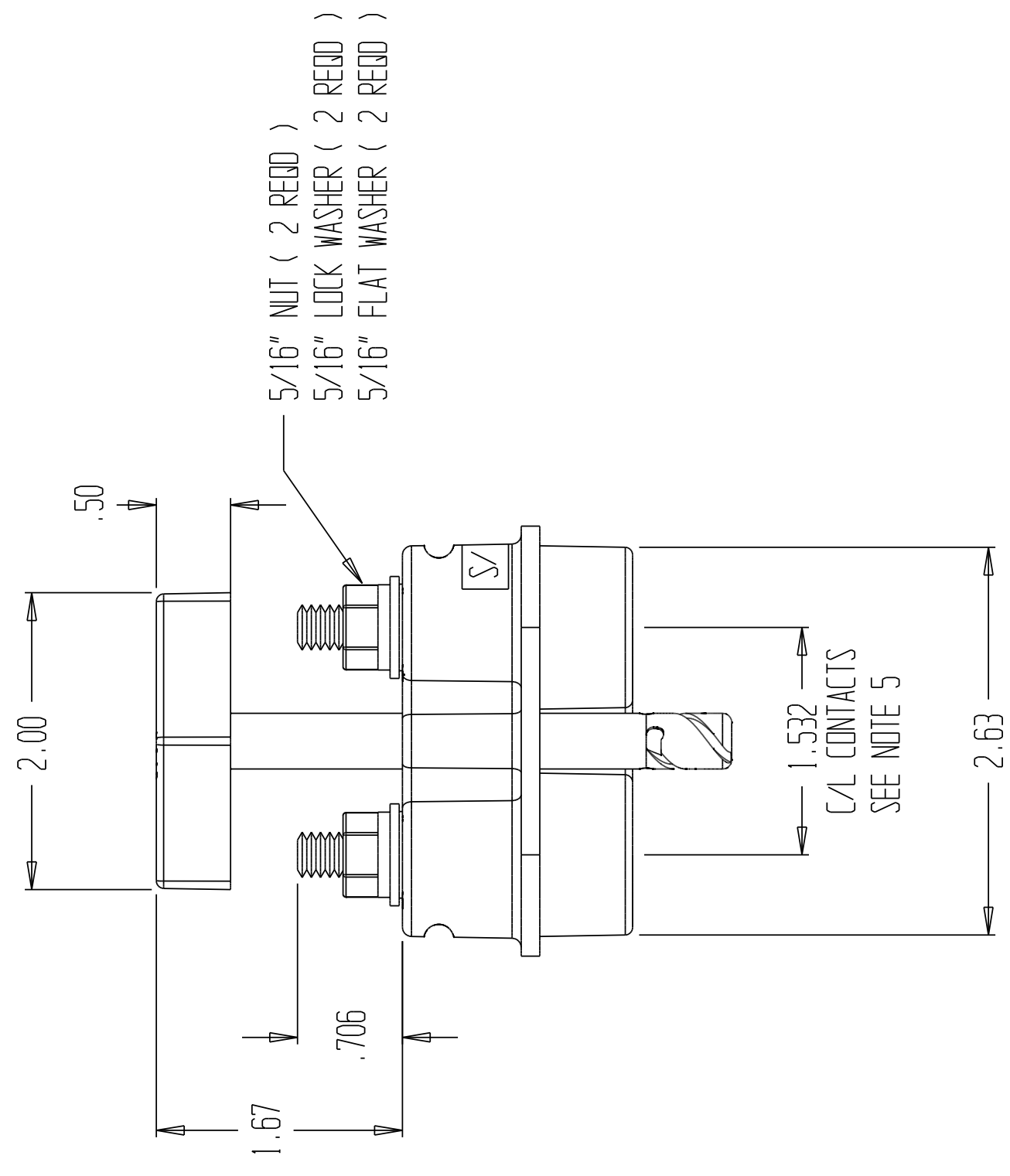


REVISIONS

REV	DESCRIPTION	DATE	APPROVED
-	RELEASE	9-17-02	NJB
A	NOTES 4-6, WASHER ADDED	8-26-03	NJB



GREY HANDLE OVER MOLDED ONTO HAND WHEEL SHAFT



- NOTE:
- 1> THIS DISCONNECT DESIGNED TO MATE WITH ALL MS3509 TYPE BATTERY RECEPTACLES
 - 2> POLARITY MARKINGS MOLDED IN PART ADJACENT TO SOCKETS.
 - 3> BODY MATERIAL - BLACK, GLASS REINFORCED, FUNGUS AND CHEMICALLY RESISTANT PLASTIC.
 - 4> ALL DIMENSIONS ARE NOMINAL AND DO NOT INCLUDE DRAFT ANGLES.
 - 5> CENTERLINE DIMENSION OF SOCKETS IS NOMINAL. SOCKETS ARE FREE TO FLOAT AND ALIGN WITH MATING RECEPTACLE.
 - 6> PART WEIGHT .48 LB.

REBLING PLASTICS

7013 QUICK DISCONNECT

MATERIAL	as noted	SIZE	DRAWN BY	DMG NO.	REV
CAGE CODE	30525	C	David Para	7013	customer
SCALE	1:1	DATE	11/9/01	SHEET	1 of 1