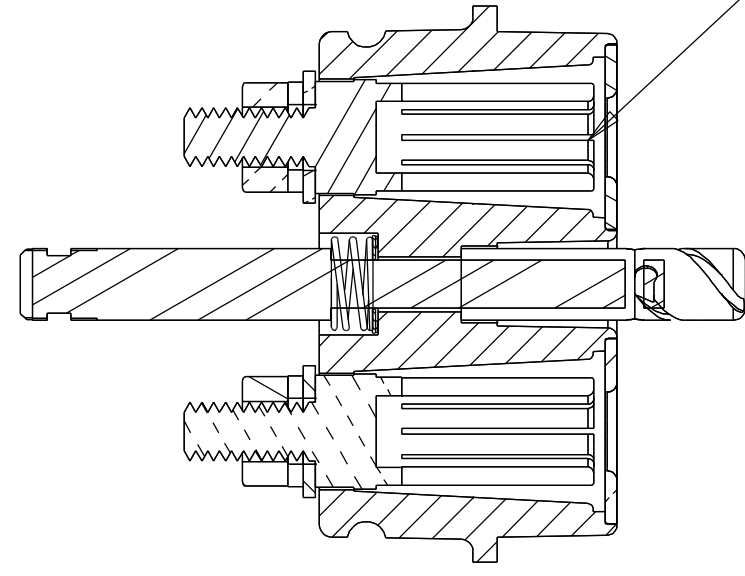
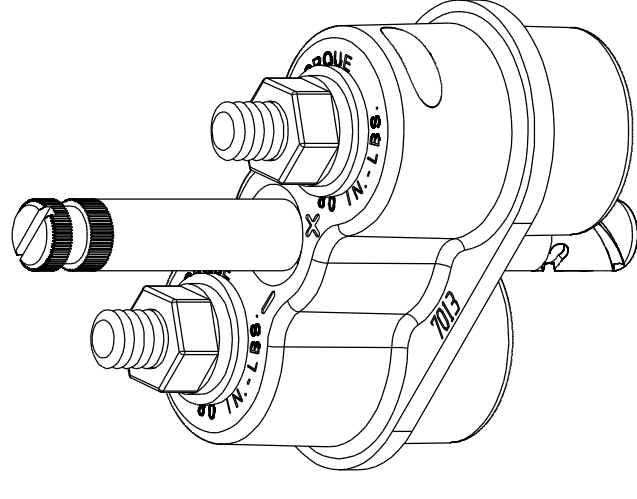
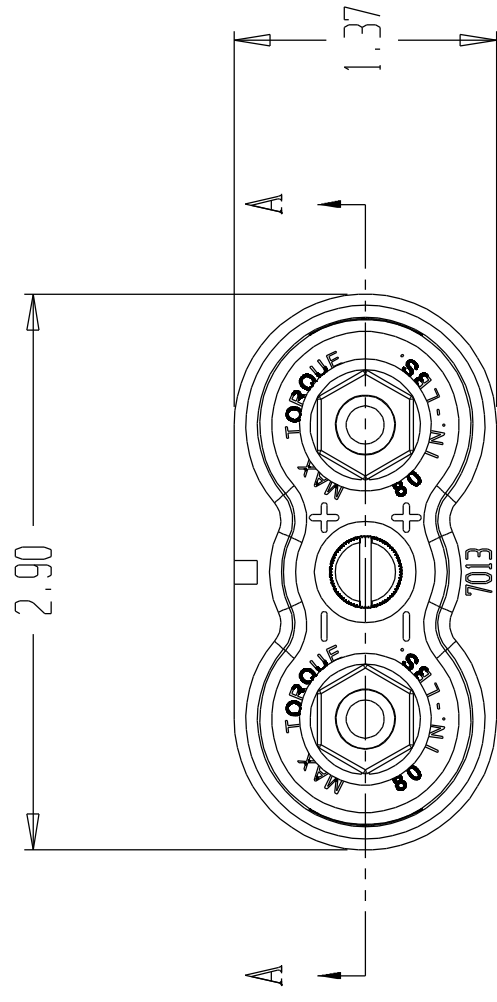
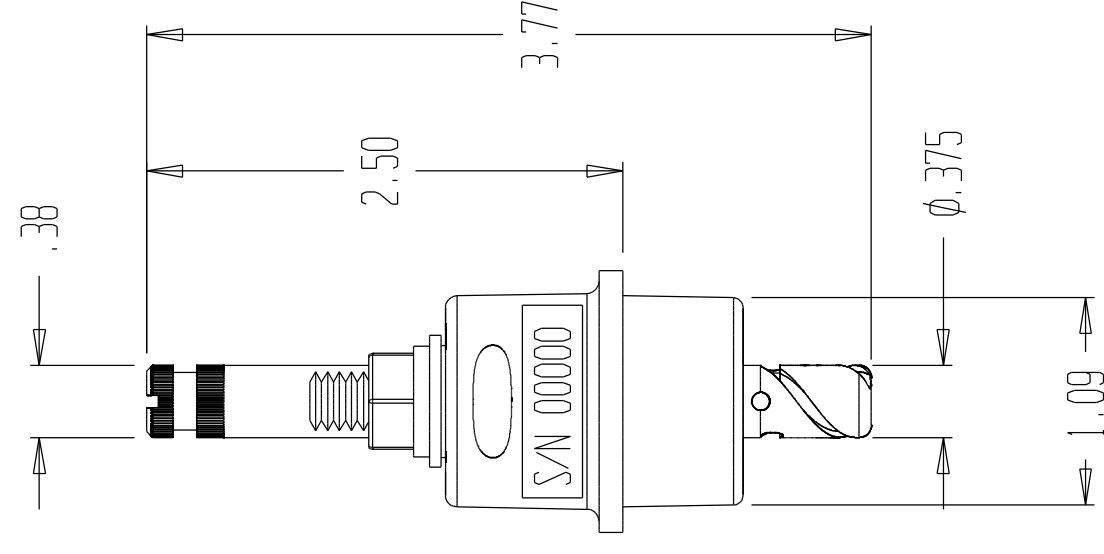
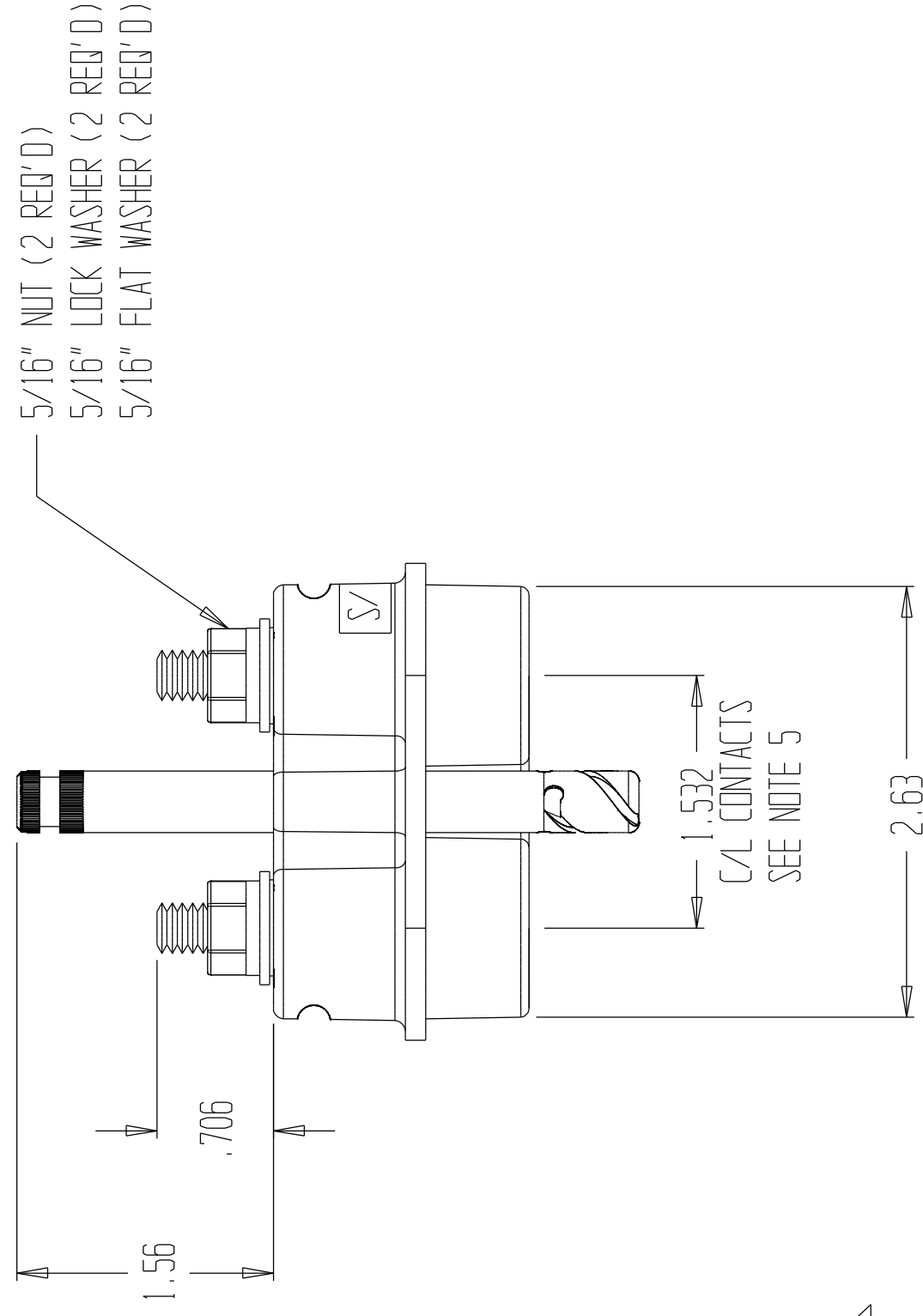


REVISIONS			
REV	DESCRIPTION	DATE	APPROVED
-	RELEASE	8-27-03	NJB



SECTION A-A

SILVER PLATED COPPER



NOTE:

- 1> THIS DISCONNECT DESIGNED TO MATE WITH ALL MS3509 TYPE BATTERY RECEPTACLES
- 2> POLARITY MARKINGS MOLDED IN PART ADJACENT TO SOCKETS.
- 3> BODY MATERIAL - BLACK, GLASS REINFORCED, FUNGUS AND CHEMICALLY RESISTANT PLASTIC.
- 4> ALL DIMENSIONS ARE NOMINAL AND DO NOT INCLUDE DRAFT ANGLES.
- 5> CENTERLINE DIMENSION OF SOCKETS IS NOMINAL. SOCKETS ARE FREE TO FLOAT AND ALIGN WITH MATING RECEPTACLE.
- 6> PART WEIGHT .47 LB.

UNLESS OTHERWISE SPECIFIED
ALL DIMENSIONS ARE IN INCHES.

REBLING PLASTICS

BATTERY DISCONNECT
7013-SS

MATERIAL	as noted	SIZE	C	DRAWN BY	N BOMER	DWG NO.	7013-SS	CUSTOMER	DWG -	REV	-
CAGE CODE	30525	SCALE	1:1	DATE	8-27-03	SHEET	1 of 1				