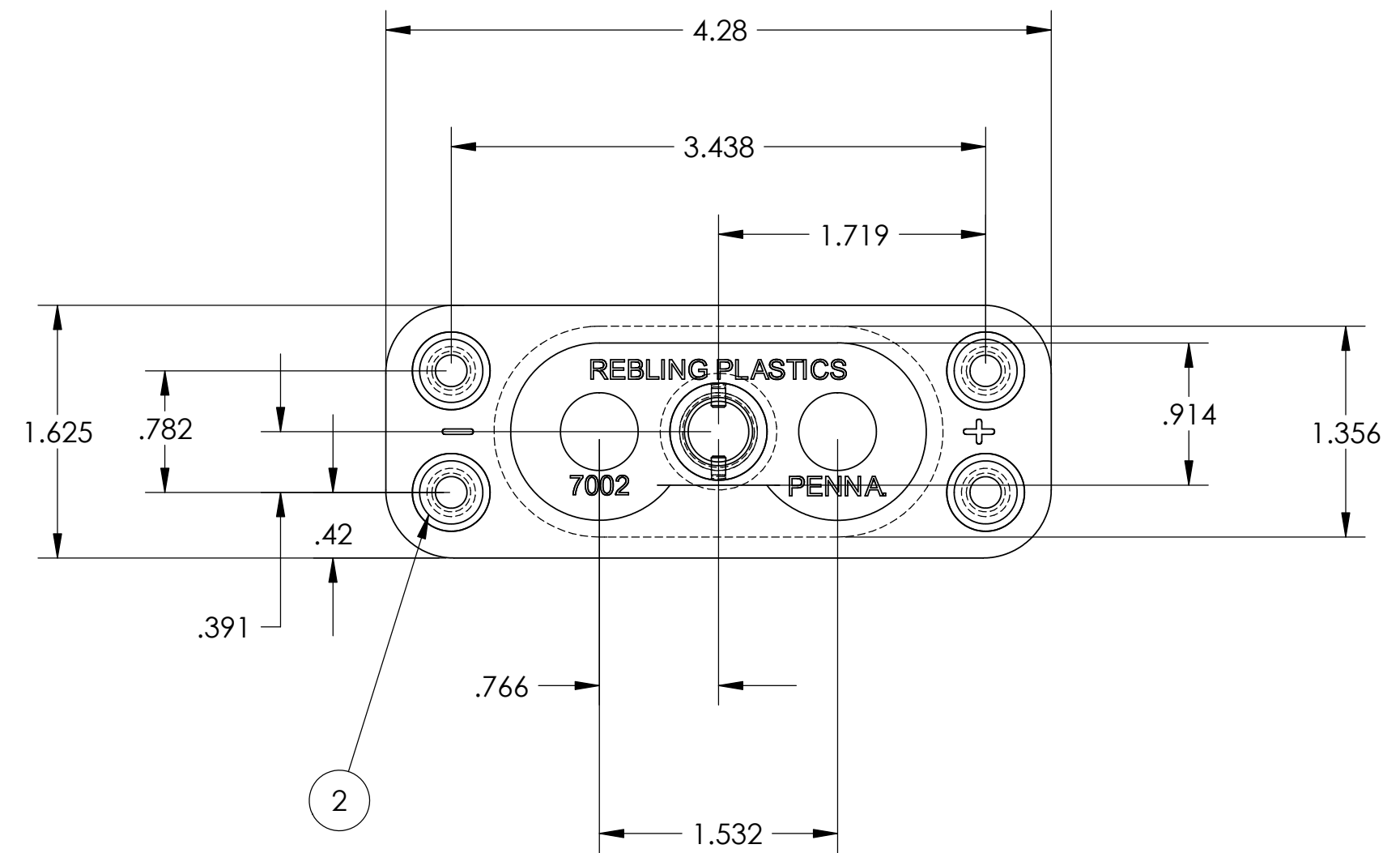
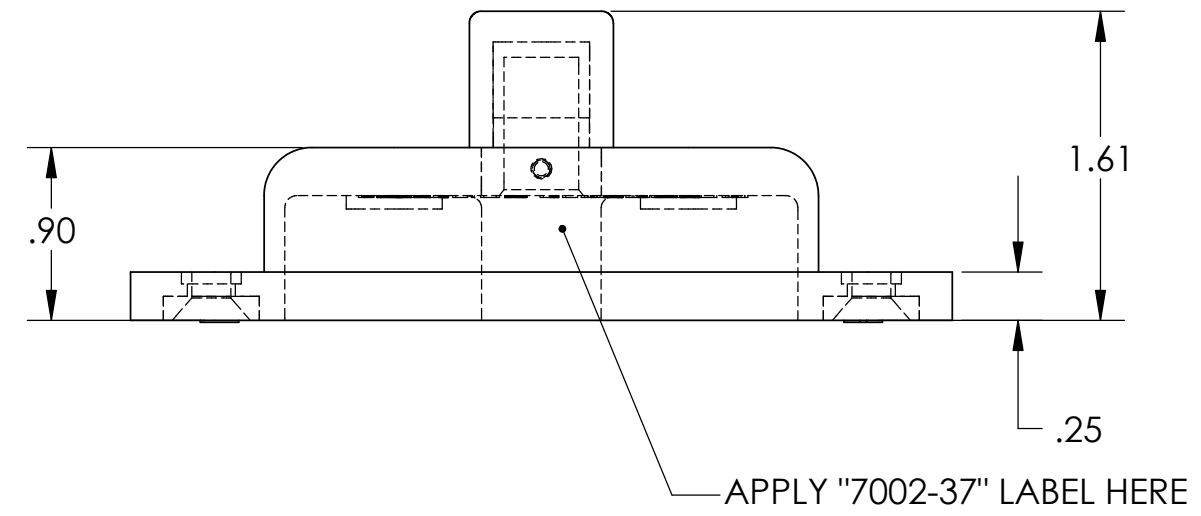
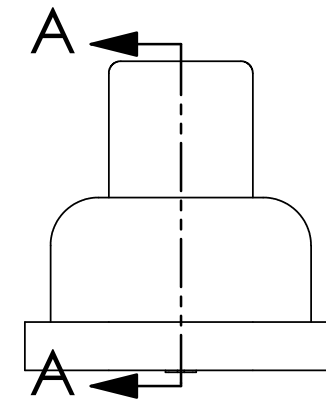
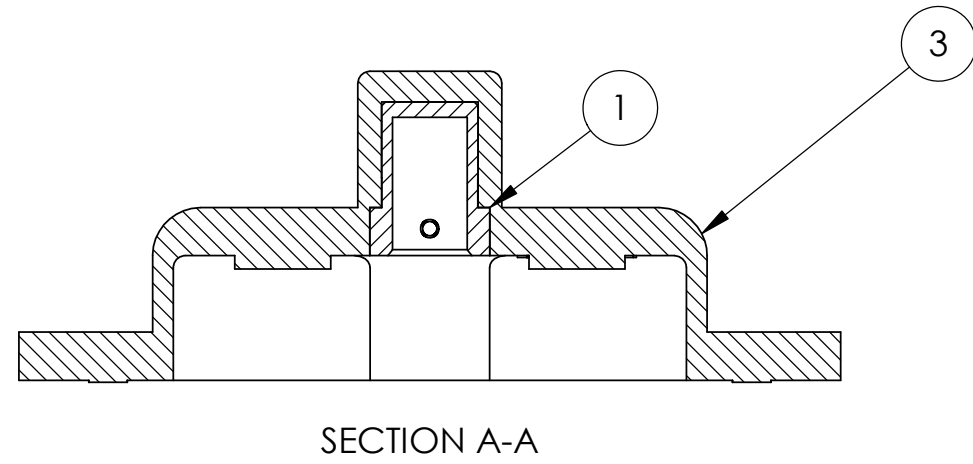


ITEM NO.	QTY.	PART NO.	DESCRIPTION
1	1	100A1073	SOCKET LOCK ASSY
2	4	100A1079	MOUNTING FERRULE
3	A/R	100A1227	MATERIAL, RECEPTACLE GREY

REVISIONS			
REV.	DESCRIPTION	DATE	APPROVED
-	RELEASE FOR PRODUCTION	9-24-03	NJB



NOTES:  
 1. DUMMY RECEPTACLE (NO CONTACT PINS) FOR ENGAGING LIVE QUICK DISCONNECT DURING MAINTENANCE.  
 2. COLOR: GREY.

**PROPRIETARY AND CONFIDENTIAL**  
 THE INFORMATION CONTAINED IN THIS DRAWING IS THE SOLE PROPERTY OF REBLING PLASTICS. ANY REPRODUCTION IN PART OR AS A WHOLE WITHOUT THE WRITTEN PERMISSION OF REBLING PLASTICS IS PROHIBITED.

UNLESS OTHERWISE SPECIFIED: DIMENSIONS ARE IN INCHES TOLERANCES: FRACTIONAL ±1/64 ANGULAR: ±1° TWO PLACE DECIMAL ±.010 THREE PLACE DECIMAL ±.005	NAME NJB	DATE 9-24-03	<b>REBLING PLASTICS</b> TITLE: 7002-37 SAFETY RECEPTACLE
INTERPRET GEOMETRIC TOLERANCING PER: MATERIAL N/A FINISH -	THIRD ANGLE PROJECTION 		
DO NOT SCALE DRAWING	CAGE CODE 30525	SCALE: 1:1	SIZE DWG. NO. <b>C</b> 100C1226
			REV -